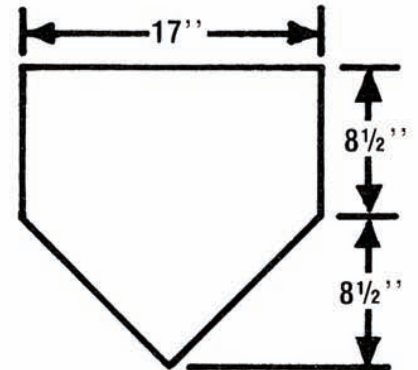
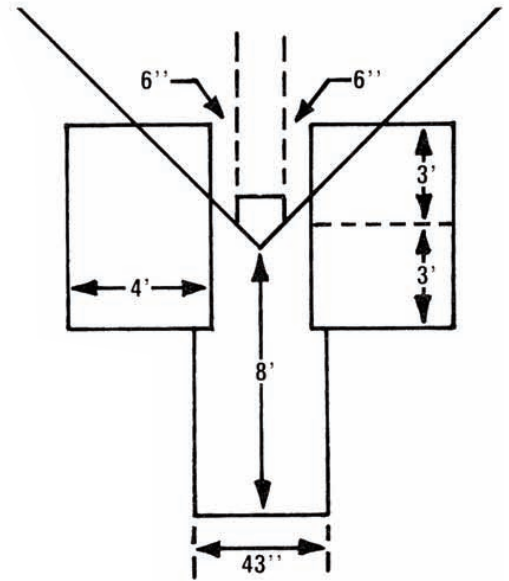
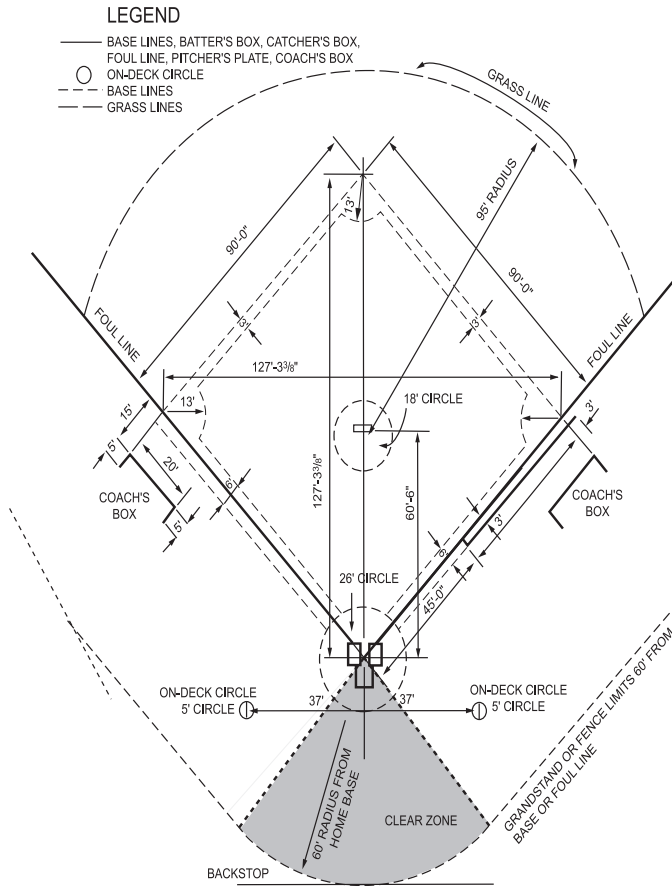
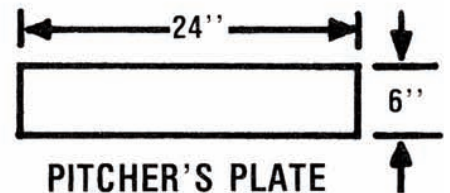


BASEBALL



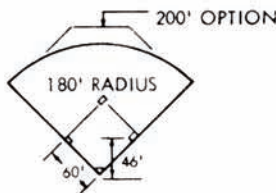
HOME PLATE



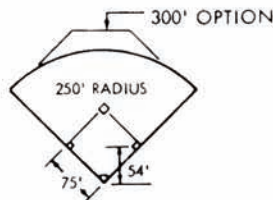
PITCHER'S PLATE

(Diagrams courtesy of USA Baseball.)

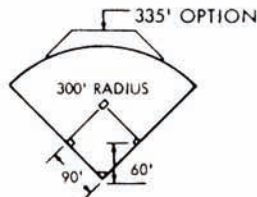
YOUTH LEAGUE



SANDY KOUFAX (AABC) AND PONY LEAGUE



BABE RUTH AND SENIOR LEAGUE



ALSO:

MICKEY MANTLE
CONNIE MACK
JUNIOR LEGION
HIGH SCHOOL
310' RADIUS
360' OPTION

FOR MORE INFORMATION CONTACT:

USA Baseball
P.O. Box 1131
Durham, NC 27702
(919) 474-8721
Fax: (919) 474-8822
www.usabaseball.com

**American Amateur
Baseball Congress**
100 W. Broadway
Farmington, NM 87401
(505) 327-3120
Fax: (505) 327-3132
www.aabc.us

**National Collegiate
Athletic Association**
700 W. Washington St.
Indianapolis, IN 46206
(317) 917-6222
Fax: (317) 917-6888
www.ncaa.org